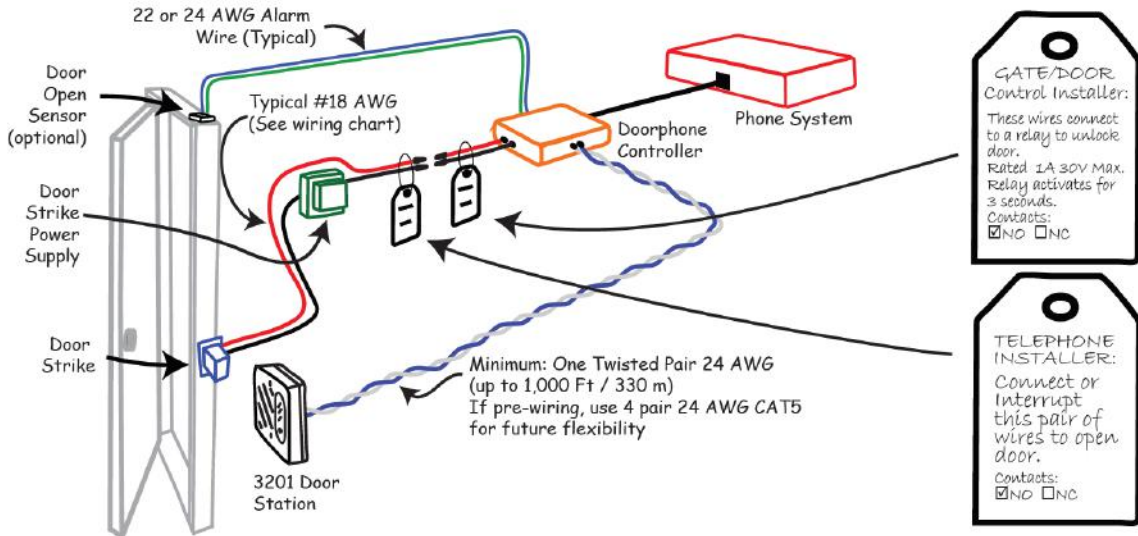


## Pre-Wiring Instructions for Algo Doorphones (Models 3226, 3228, & 8028)



**Note:** Wiring between the Door Strike and the Doorphone Controller needs to be properly sized based on the voltage and current requirements of the Door Strike power supply, and the distance between the Door Strike and the Controller. See chart below for details.

### Maximum Wiring Distance for Strike Voltage and Current by Wire Gauge (in feet)

Current (Amps)	0.2	0.6	1.0	1.4	1.8	2.2	2.6	3.0	3.4	3.8	4.2	4.6	5.0
<b>Wire Gauge</b>													
<b>For 24 V Power Supply</b>													
24	233	78	47										
22	373	124	75	53	41	34							
20	588	196	118	84	65	53	45	39	35				
18	938	313	188	134	104	85	72	63	55	49	45	41	38
16	1,500	500	300	214	167	136	115	100	88	79	71	65	60
14	2,400	800	480	343	267	218	185	160	141	126	114	104	96
<b>For 12 V Power Supply</b>													
24	117	39	23										
22	186	62	37	27	21	17							
20	294	98	59	42	33	27	23	20	17				
18	469	156	94	67	52	43	36	31	28	25	22	20	19
16	750	250	150	107	83	68	58	50	44	39	36	33	30
14	1,200	400	240	171	133	109	92	80	71	63	57	52	48

**Notes:**

- Range based on maximum 10% voltage drop in cabling. Verify with strike provider that voltage rating is +/- 10%.
- Algo 3226/3228/8028 Doorphones contain a 10A rated door control relay. Installation guides specify a rating of 1 Amp to be conservative and allow for inductive loads.
- The door control relay is in the control unit which may be located in a secure location close to the door if necessary.